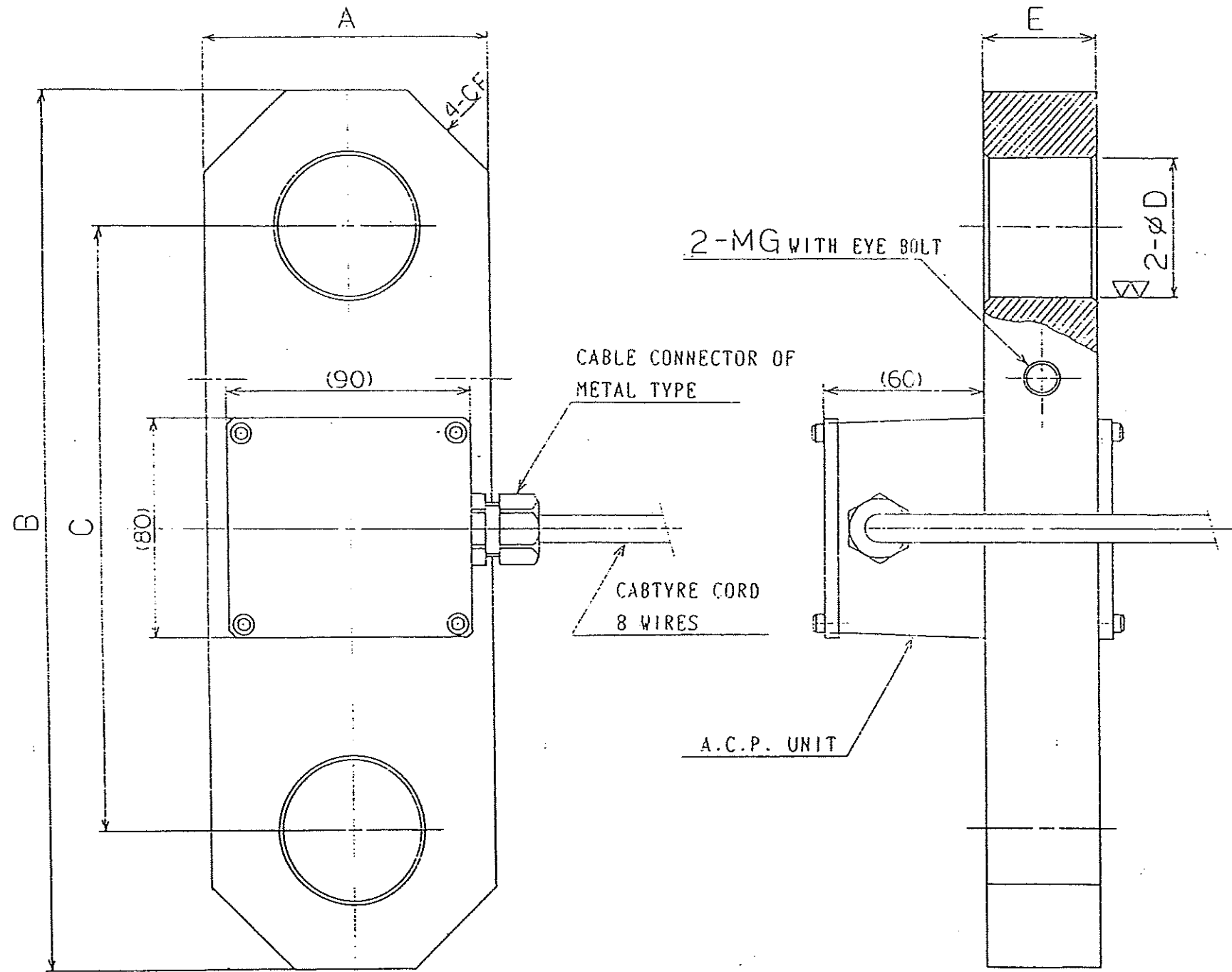


▽ 308867

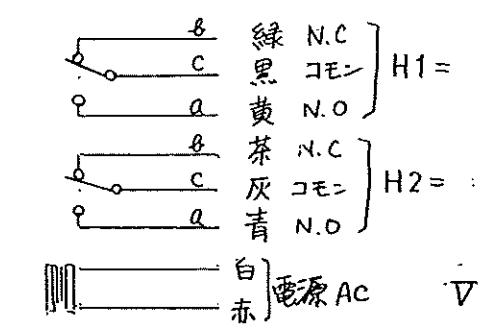


| CAP.   | A   | B   | C   | φD    | E   | CF  | WEIGHT | MG  |
|--------|-----|-----|-----|-------|-----|-----|--------|-----|
| 1t, 2t | 90  | 200 | 150 | 20.5  | 23  | 25  | 2.3    | --- |
| 3t     | 90  | 280 | 204 | 40.5  | 30  | 25  | 5.0    | --- |
| 5t     | 105 | 320 | 220 | 50.5  | 40  | 30  | 8.7    | --- |
| 10t    | 140 | 400 | 260 | 70.5  | 65  | 40  | 22.8   | --- |
| 20t    | 180 | 540 | 360 | 90.5  | 85  | 50  | 52.6   | M16 |
| 30t    | 220 | 620 | 400 | 110.0 | 95  | 65  | 80.7   | M16 |
| 50t    | 270 | 720 | 450 | 130.5 | 110 | 95  | 128.5  | M16 |
| 80t    | 320 | 820 | 500 | 140.0 | 125 | 90  | 210.0  | M24 |
| 100t   | 350 | 980 | 530 | 150.0 | 135 | 100 | 303.0  | M24 |

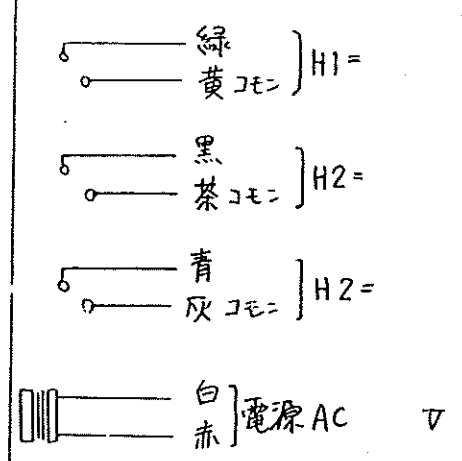
SPECIFICATION OF LOAD-CELL

- 1 LOAD-CELL ELEMENT      IRON (SURFACE TREATMENT)
- 2 TYPE      USABLE IN OUT-DOOR
- 3 WITHSTANDING OVER LOAD 500% AT RATED LOAD (DESING)

2接点の場合



3接点の場合 設定値各々のa接 & 接を御指定下さい



| NO. | HISTORY | DATE | BY |
|-----|---------|------|----|
|     |         |      |    |
|     |         |      |    |
|     |         |      |    |
|     |         |      |    |
|     |         |      |    |
|     |         |      |    |
|     |         |      |    |
|     |         |      |    |

| 図面二指示ナキ公差 (±mm) |           |     |     |
|-----------------|-----------|-----|-----|
| 4以下             | 0.1       | 0.2 | 0.3 |
| 4より16以下         | 0.2       | 0.3 | 0.5 |
| 16 - 63         | 0.3       | 0.5 | 0.7 |
| 63 - 250        | 0.5       | 0.8 | 1.2 |
| 250 - 1000      | 0.8       | 1.2 | 2.0 |
| 1000 - 2000     | 1.2       | 2.0 | 3.0 |
| 2000 - 4000     | 1.8       | 3.0 | 4.5 |
| 加工区分            | 切削<br>プレス | 板金  | 鋳造  |

Original D.W.G 308834

| P.No. | PARTICULAR | MATERIAL | QUAN | REMARK |
|-------|------------|----------|------|--------|
|       |            |          |      |        |

CHECK BY      3RD ANGLE PROJECTION

DESIGN BY      DRAWING NAME

DRAWN BY M. Yamada      SCALE \* (-)

DATE      TLL100-2~100

株式会社 ヌキシステム      引張型ロドリミット 外形図

DRAWING NUMBER      308867